



MOBIRAD 400

New Level of Mobile Imaging

Key Benefits

- Enhanced Flexibility and Usability in Bedside Imaging
- Agile and Excellent Driving Experience
- Equivalent to Full DR Diagnostic Image with Minimum Radiation Dose

Enhanced Flexibility and Usability in Bedside Imaging

MOBIRAD 400

Dedicatedly designed for smart portability, MOBIRAD 400 is a mobile radiography system optimized for patients with a difficulty of movement at ERs, ICUs and inpatient rooms.

Agile and Excellent Driving Experience

- Effortless maneuvering in cluttered rooms thanks to its compact size and easy-controlling lever

Precise & Easy Positioning

- Ultrasonic sensor-based automatic SID control
- Long reach of the X-ray tube for easy and precise positioning
- Self-powered & Rechargeable

Increased Extra Safety

- Remote control for image acquisition to prevent excessive radiation exposure
- Increased safety by front bumper, safety brake and LED display of radiation status

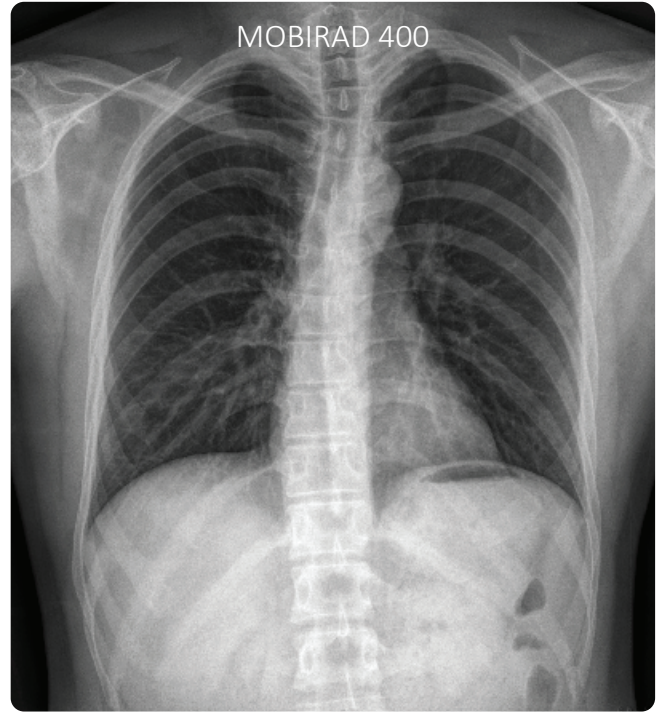
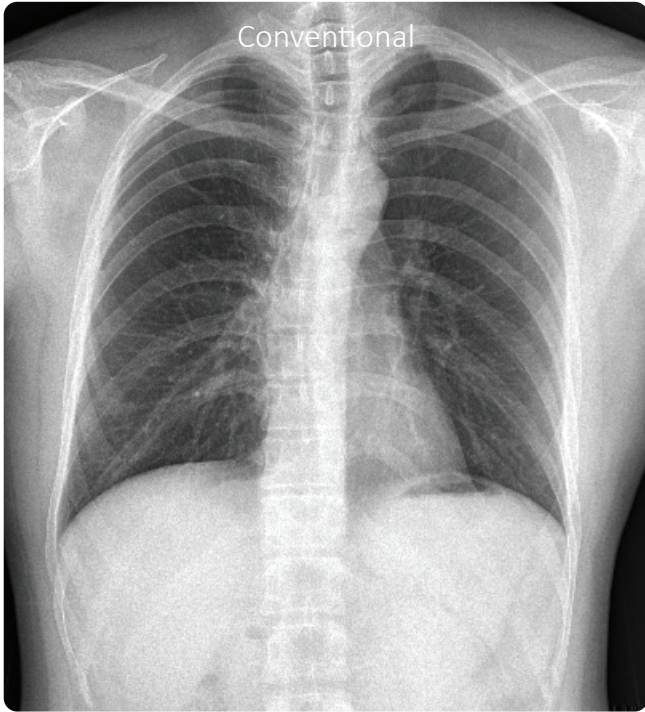


Fast & Efficient Workflow

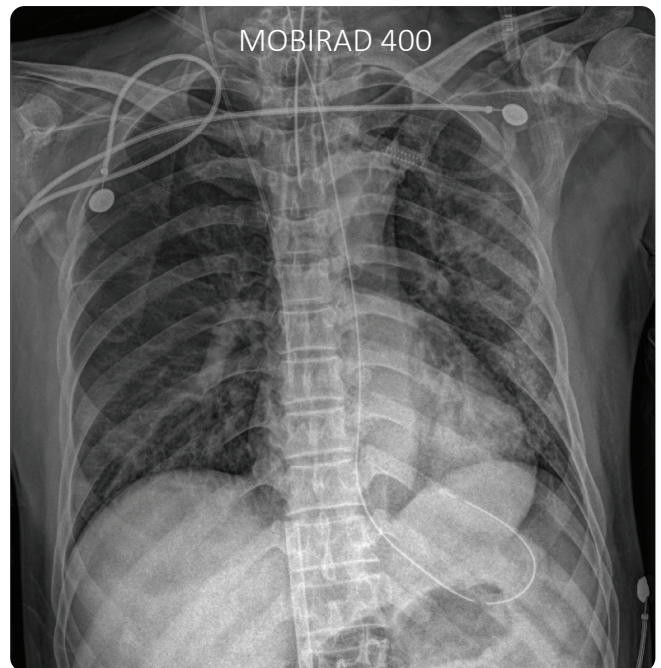
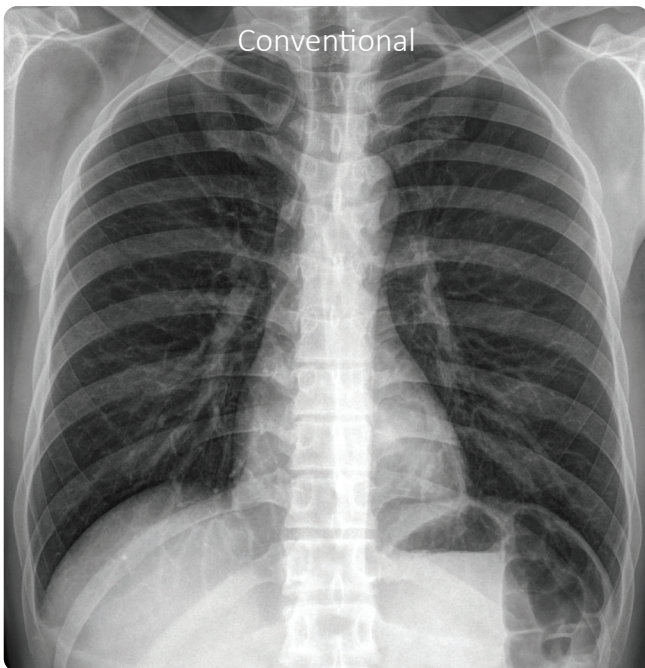
- Embedded PC monitor with LED touchscreen
- *Automatic charging station for X-ray detector

*(option)

Equivalent to Full DR Diagnostic Image with Minimum Radiation Dose



Clear and sharp image optimized for early detection and diagnosis of major chest diseases such as nodules, pneumothorax, and pneumonia.



Intuitive and Convenient Operation with ECONSOLE1

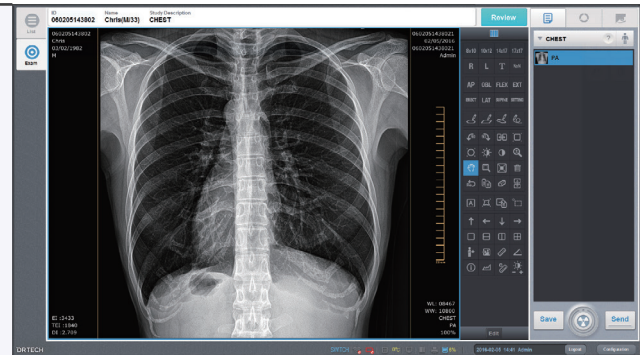
Advanced Imaging Processing

·DEPAI™

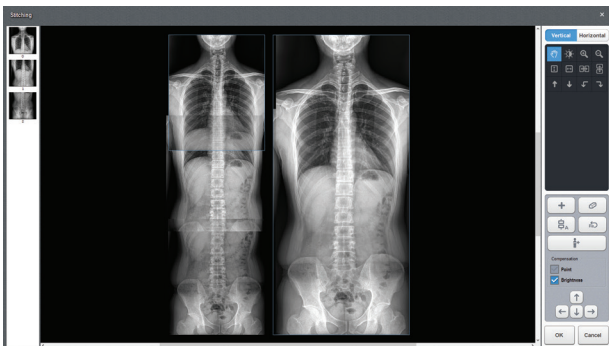
DEPAI applies artificial intelligence imaging processing on Bone, Muscle, and Soft tissue resulting in noise and artifacts reduction on images.

·TRUVIEW®ART

TRUVIEW®ART increases image sharpness up to 30% resulting in exceptional image quality.



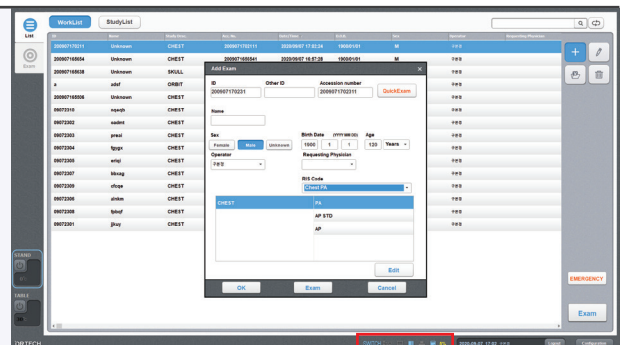
Versatile Image Editing Functions



- Auto Stitching(up to 4 images), Auto Labeling, and Auto Crop Function.
- Versatile Image Control Tool for User Convenience
- 9 Image Parameter Options Based on Image Preference.

Intuitive UX/UI

- Easy & Simple Patients Register Process
- Real Time Connection Status Check (PACS Connection, Image Transfer, Detector Connection, Battery etc)
- Customizable Tool Bar
- Multi-languages Support (18 languages)



MOBIRAD 400

Type	Digital motorized mobile X-ray unit with wireless detector
Dimensions- In operation	2483mm x 690mm x 1907mm
Dimensions- Packing/Transport	1141mm x 690mm x 1907mm
Main supply	240/100V, Single phase, 50/60Hz
Main fuse	10A
Detector storage	One detector
Weight	540kg
Source to floor distance	585-1300mm
Handswitch with release button	yes

Generator

Type	High frequency generator
Power	32kW
mAs range	0.5-400 mAs (64 step) (±20%)
kV range	40- 125 kV (1kV step) (±10%)
mA range	41-400 mA
Exposure times	MAX 5s

Tube

Focal spot	1.3mm in large focus (32kW) 0.6mm in small focus (11kW)
Target angle	13.5°
Target material	Tungsten
Anode heat storage capacity	107KHU(80kJ)
X-ray tube anode	Rotating
Tube head rotation	±165°
Tube column rotation	±280°
Telescopic travel	550mm

Collimator

Type	Manual, with LED light field indicator
Input voltage	24VDC
Luminous flux	more than 130lux
Rotation	±90°
Filters	Add 2.0mm Al

Detector

Type	EVS 3643W (Wireless)
Pixel size	140 µm
Scintillator	CsI
Detector size	36 cm x 43 cm (14" x 17")
Image matrix size	2460 x 3072 pixels
A/D conversion	16 bits
Weight	3.0 kg (approx. 6.61 lbs)
Autonomy standby mode	6 hrs

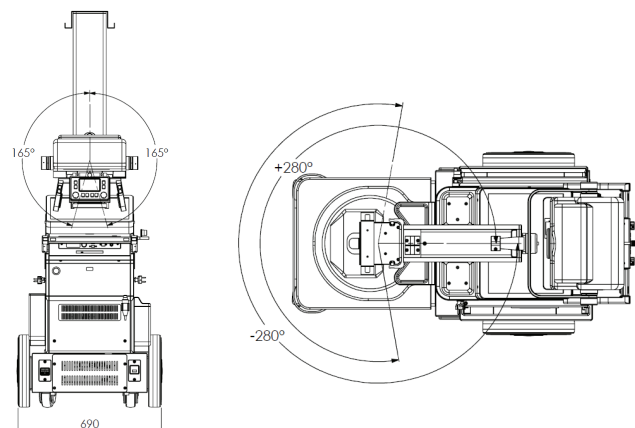
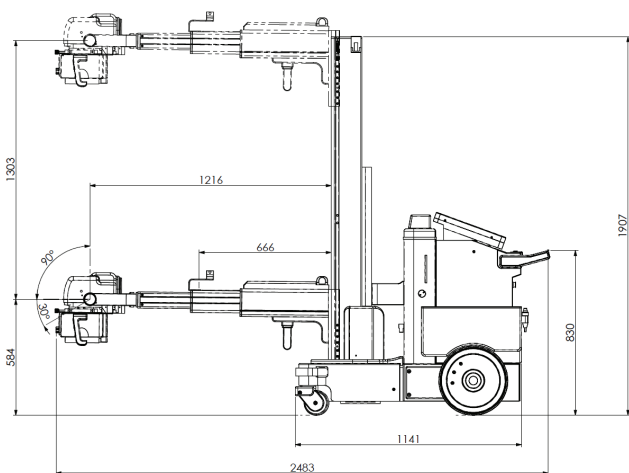
Workstation

Operating system	Window 10, 64bit
Procoessor	More than Intel i5
Storage/Memory	HDD 1TB, 4G RAM
Image storage	Typically 4,000 images
Monitor	19" LCD color touch screen monitor (1280 x 1024)
Image processing	TRUVIEW®ART
Battery capacity	4200 mAh
Matrix depth	32/64bit

Additional Options

Remote control for exposure	
Handle frame for detector	
Dose Area Product (DAP) meter	

Dimensions



SITEC

Tel | +82-31-982-0620

Web | www.sitecmedical.com

E-mail | sitec_cs@sitec-med.com

